

**Floor Plan**

NOTE: -ALL DIMENSION ARE IN MM

REVISION:

CLIENT: .....

PROJECT: IDEA PROJECT 2017

STATUS:

KEY PLAN:

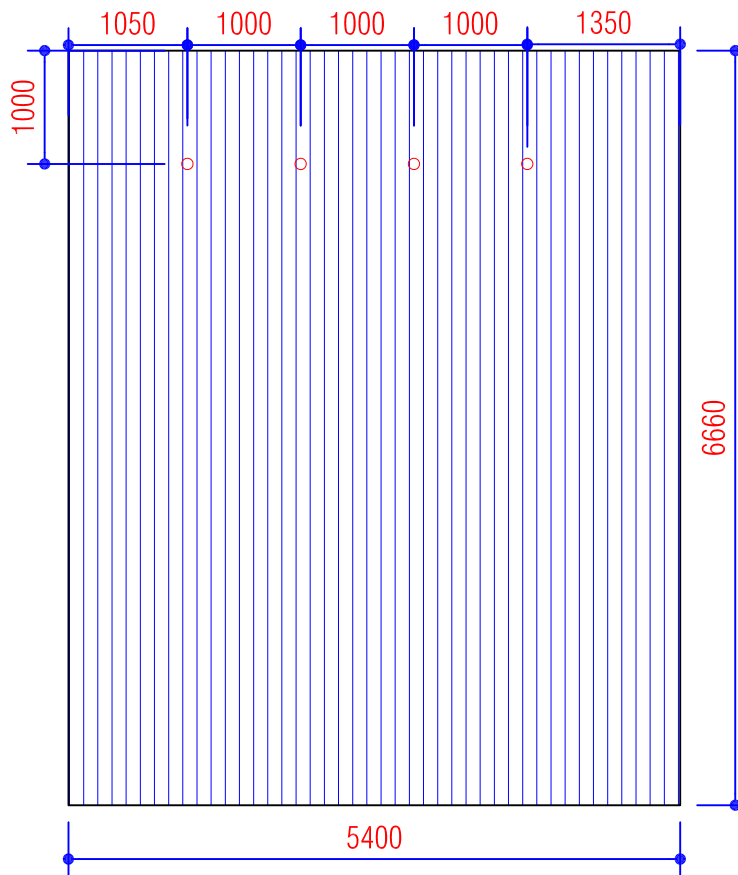
CHECK BY:

DESIGN BY:

TITLE:

SCALE:

DWG No:



## Roof Plan

NOTE: -ALL DIMENSION ARE IN MM

REVISION:

CLIENT: .....

PROJECT: IDEA PROJECT 2017

STATUS:

KEY PLAN:

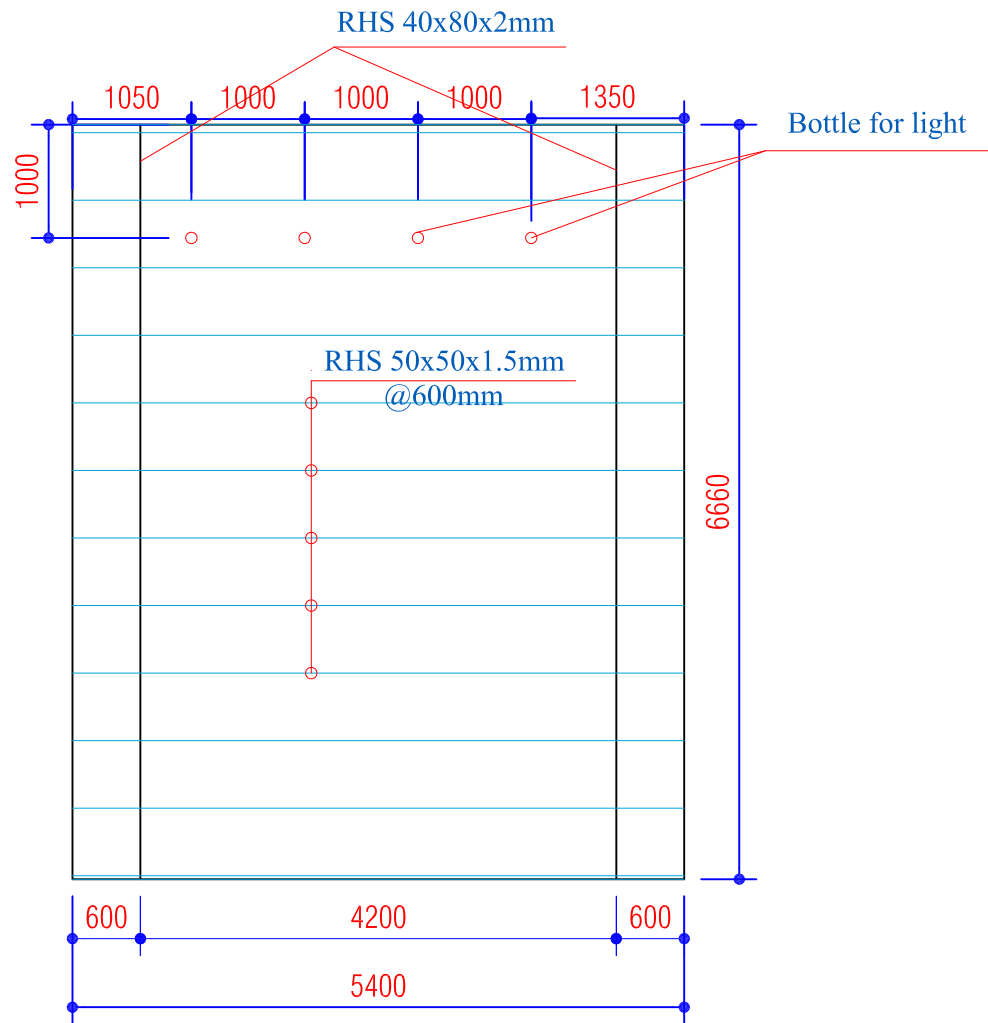
CHECK BY:

DESIGN BY:

TITLE:

SCALE:

DWG No:



## Roof Frame Detail

NOTE: -ALL DIMENSION ARE IN MM

REVISION:

CLIENT: .....

PROJECT: IDEA PROJECT 2017

STATUS:

KEY PLAN:

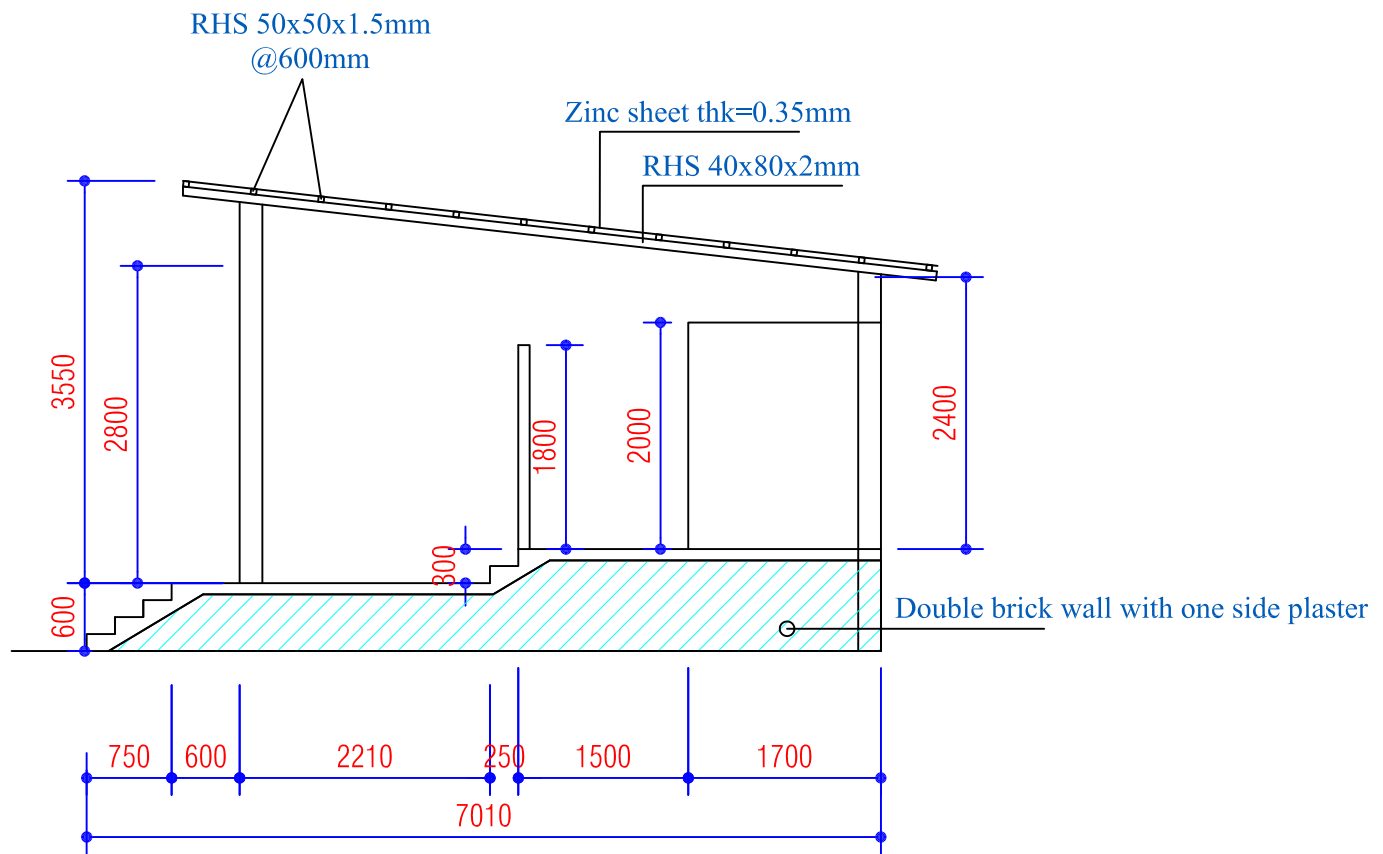
CHECK BY:

DESIGN BY:

TITLE:

SCALE:

DWG No:



South Elevation

NOTE: -ALL DIMENSION ARE IN MM

REVISION:

CLIENT: .....

PROJECT: IDEA PROJECT 2017

STATUS:

KEY PLAN:

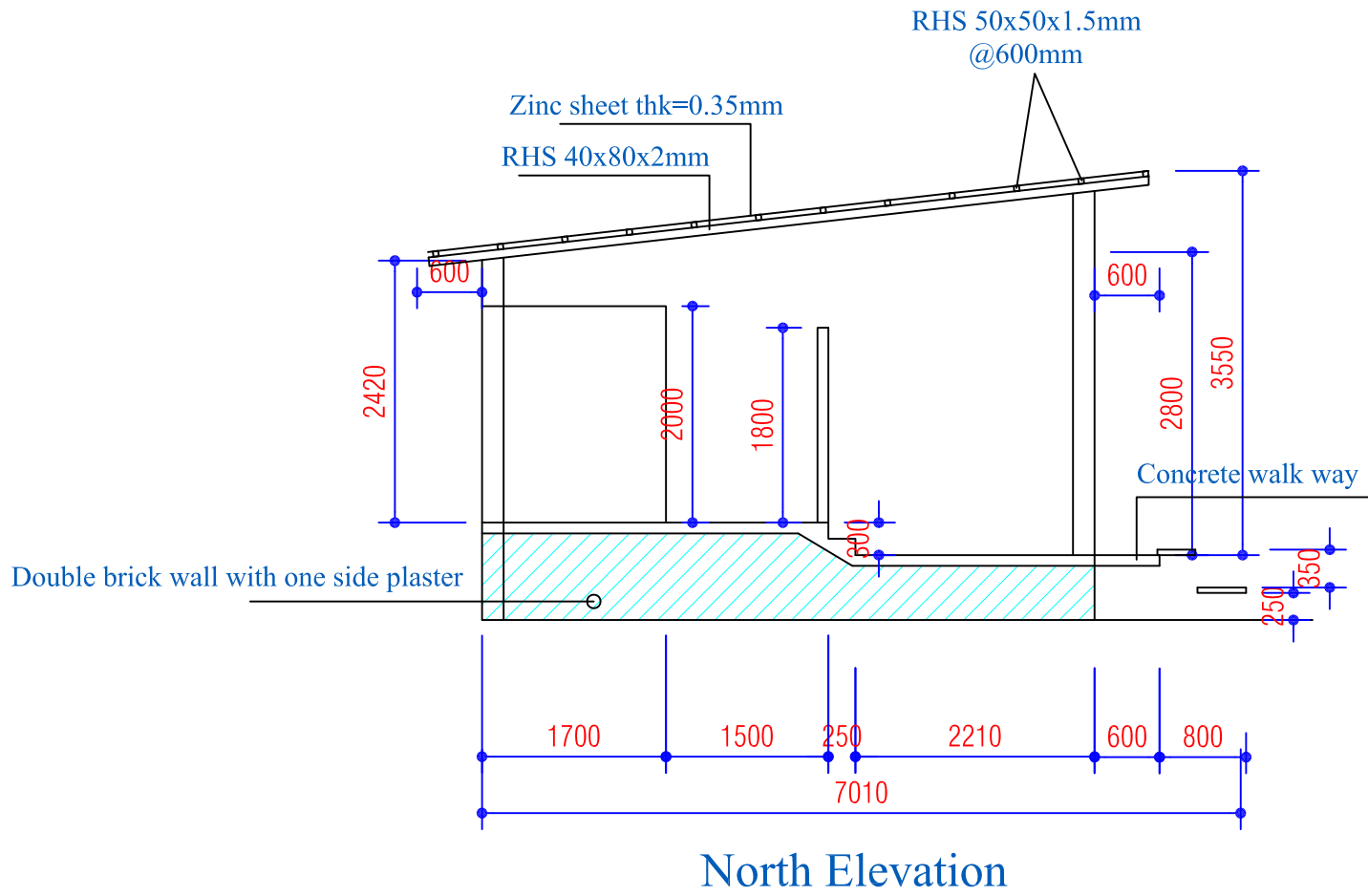
CHECK BY:

DESIGN BY:

TITLE:

SCALE:

DWG No:



NOTE: -ALL DIMENSION ARE IN MM

REVISION:

CLIENT:.....

PROJECT: IDEA PROJECT 2017

STATUS:

KEY PLAN:

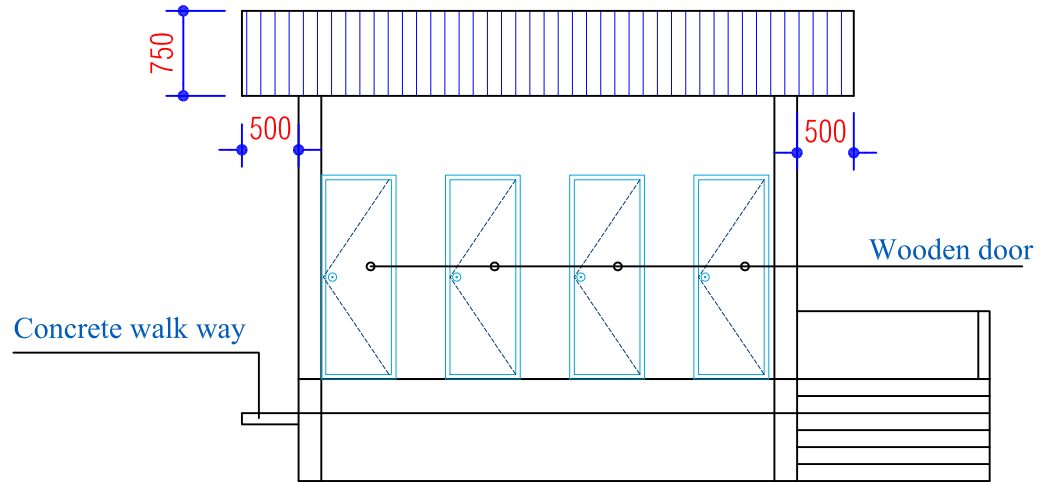
CHECK BY:

DESIGN BY:

TITLE:

SCALE:

DWG No:



West Elevation

NOTE: -ALL DIMENSION ARE IN MM

REVISION:

CLIENT:.....

PROJECT: IDEA PROJECT 2017

STATUS:

KEY PLAN:

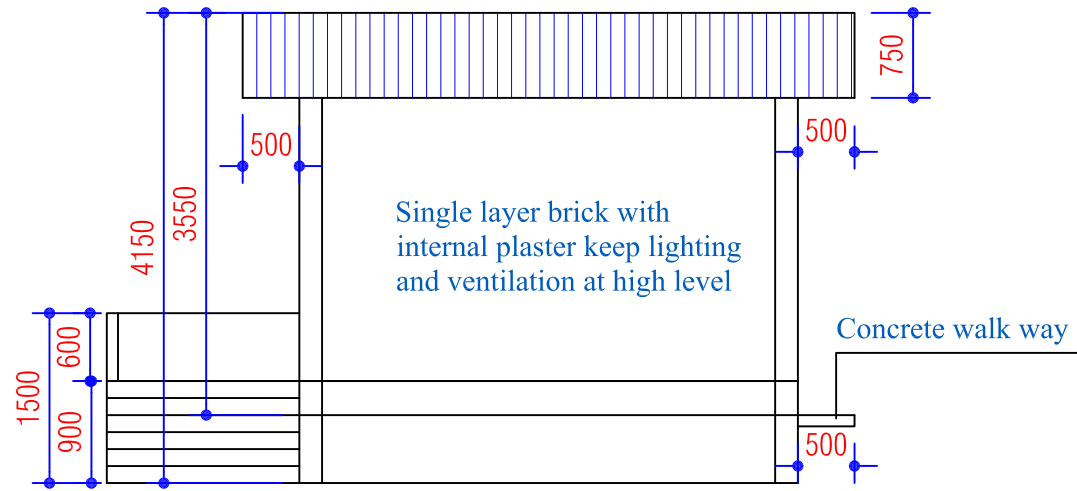
CHECK BY:

DESIGN BY:

TITLE:

SCALE:

DWG No:



East Elevation

NOTE: -ALL DIMENSION ARE IN MM

REVISION:

CLIENT: .....

PROJECT: IDEA PROJECT 2017

STATUS:

KEY PLAN:

CHECK BY:

DESIGN BY:

TITLE:

SCALE:

DWG No: